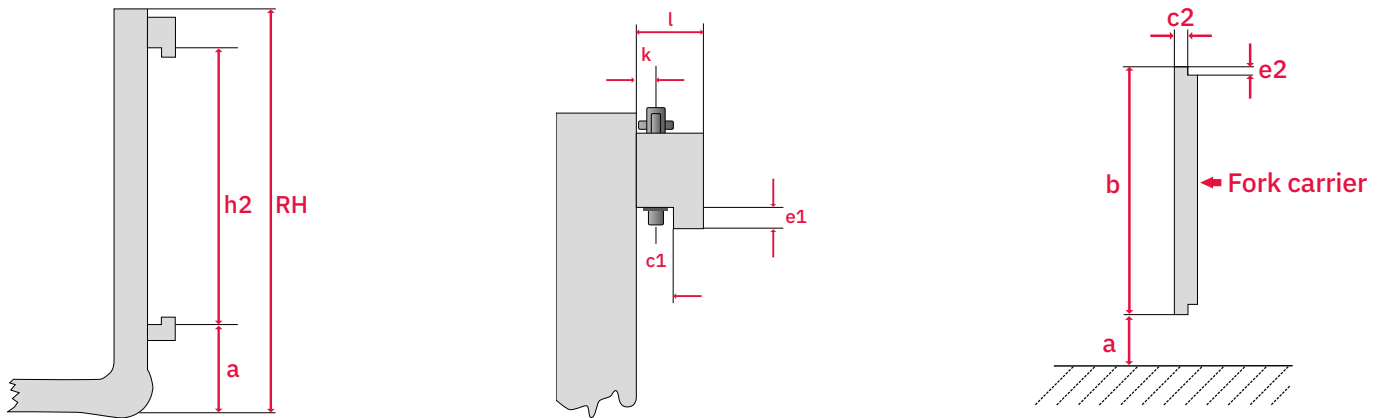


# Fork knowledge

## DIN suspension

The DIN suspension is mainly used on older and special lift trucks, construction and agricultural machines. For this type of forks, the hook is manufactured with a square inner contour.

According to the rated truck capacity the DIN standard consists of 4 classes. Dimensions are defined by DIN 15135, however, very often special dimensions are used.



Class	Rated lift truck capacity kg	Load center mm	a mm	b <sub>-2</sub> mm	c <sub>1</sub> <sup>+1</sup> mm	c <sub>2</sub> <sub>-1</sub> mm	e <sub>1</sub> ±1 mm	e <sub>2</sub> mm	h <sub>2</sub> <sup>+1,5</sup> mm	k mm	l mm	RH <sub>±10</sub> <sup>5</sup> mm
DIN 360	0-999	400	120	360	16	15	16	20	361	8	30	534
DIN 400*	1,000-2,500	500	160	400	22	20	16	20	401	10,5	34	630
DIN 500	2,501-4,999	500	200	500	27	25	16	25	501	13,5	50	770
DIN 570	5.000-6.300	600	250	570	42	40	16	40	571	21	80	890

\* Class DIN 400 is also usual having a drop a clearance of „a“ = 150 mm (DIN400/150) and „a“ = 170 mm (DIN400/170).