

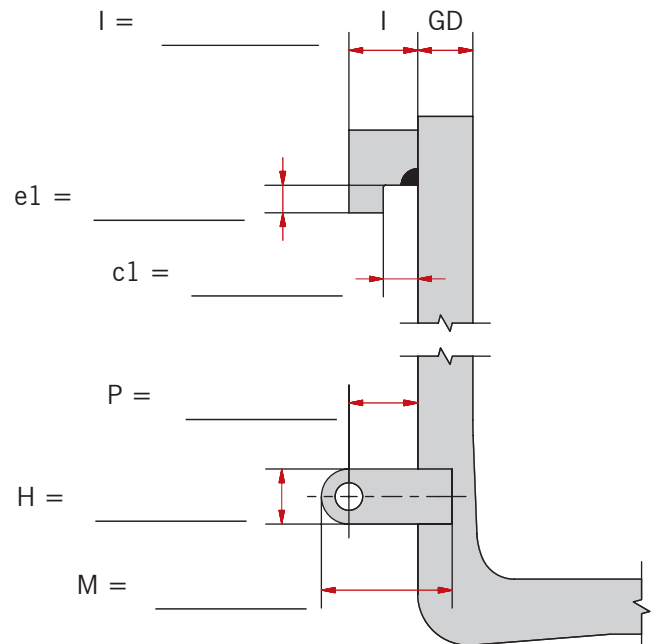
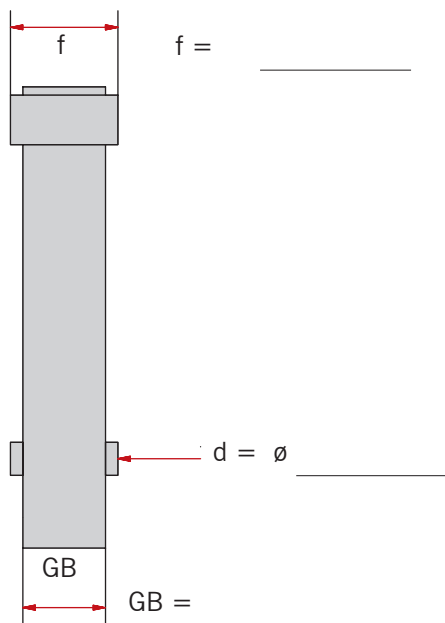
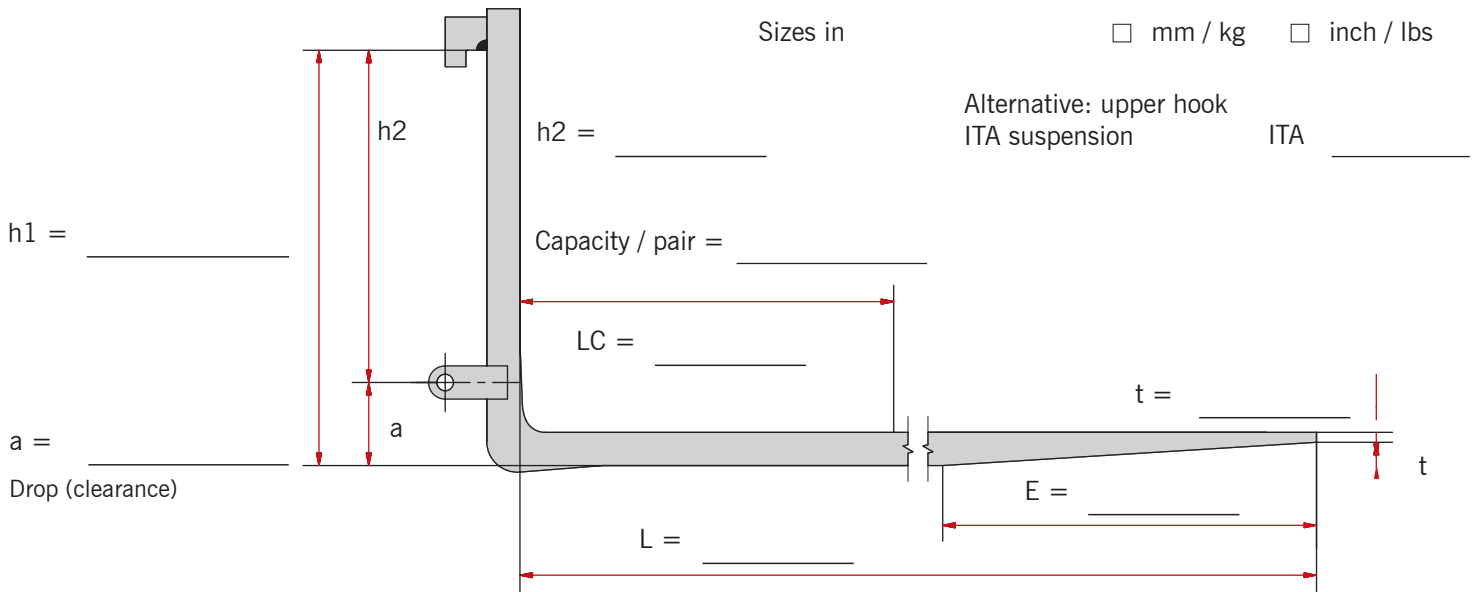
Inquiry     Order    No. \_\_\_\_\_

**QualityForks** with TWS suspension

Company \_\_\_\_\_  
 Street \_\_\_\_\_  
 Postal code, town \_\_\_\_\_  
 Cross-section (width x thickness) \_\_\_\_\_  
 Length (L) \_\_\_\_\_  
 Quantity \_\_\_\_\_  
 Delivery date \_\_\_\_\_

Name \_\_\_\_\_  
 Tel. \_\_\_\_\_ Fax \_\_\_\_\_  
 E-Mail \_\_\_\_\_  
 Lift truck brand \_\_\_\_\_  
 Lift truck type \_\_\_\_\_  
**Date, Signature** \_\_\_\_\_

Sizes in     mm / kg     inch / lbs



► DELIVERY  
INCLUDING BOLT