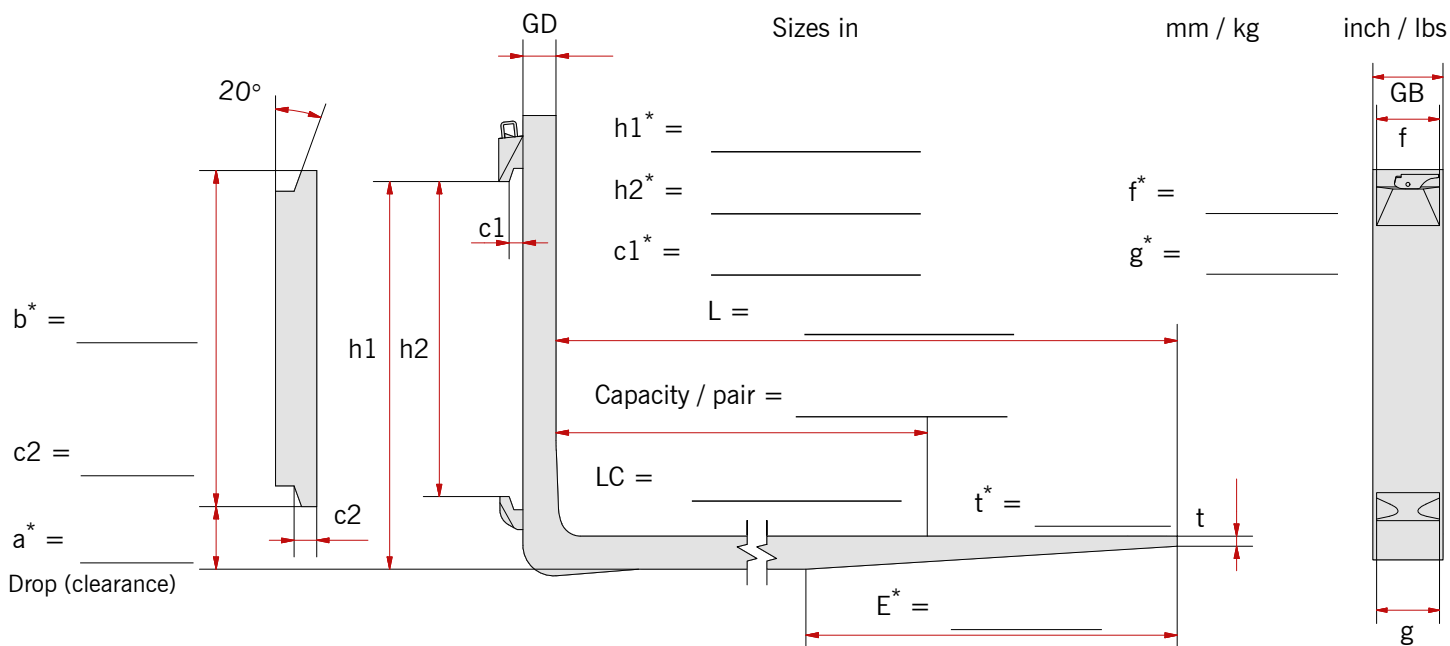


QualityForks with ITA suspension and drillings

Company _____	Name _____
Street _____	Tel. _____ Fax _____
Postal code, town _____	E-Mail _____
Cross-section (width x thickness) _____	Lift truck brand _____
Length (L) _____	Lift truck type _____
Quantity _____	Attachment _____
Delivery date _____	Application _____



Suspension (please tick)

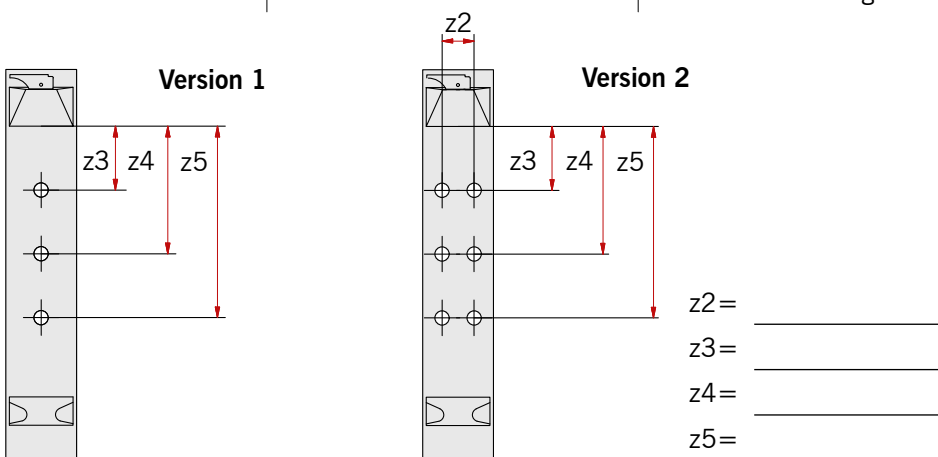
- | | |
|---------------------------------|---------------------------------|
| <input type="checkbox"/> ITA 1A | <input type="checkbox"/> ITA 1B |
| <input type="checkbox"/> ITA 2A | <input type="checkbox"/> ITA 2B |
| <input type="checkbox"/> ITA 3A | <input type="checkbox"/> ITA 3B |
| <input type="checkbox"/> ITA 4A | <input type="checkbox"/> ITA 4B |
| <input type="checkbox"/> ITA 5A | <input type="checkbox"/> ITA 5B |

Please tick one version of drilling

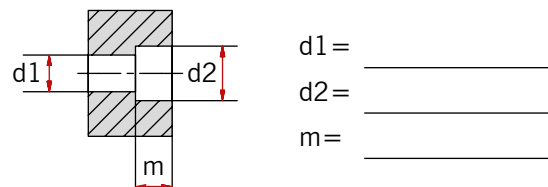
Total number of drillings _____

Screw size _____

M _____



Please define countersunk drilling



***Note:**
„Optional“ data
(fill in only if deviations
from the standard)