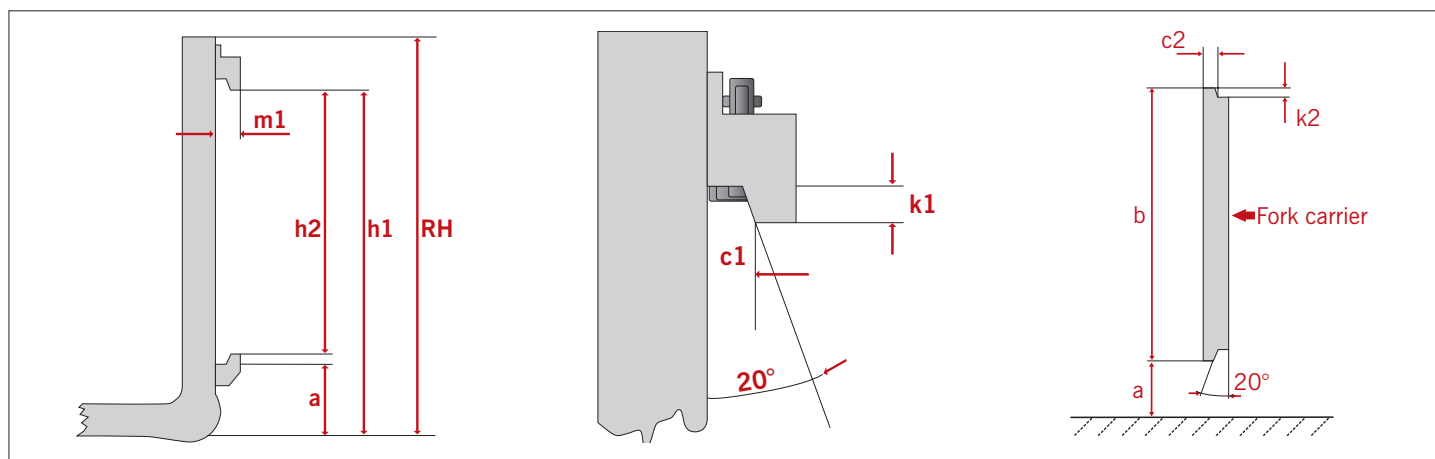


CONNECTION MEASURES ISO SUSPENSION

Today, the ISO suspension is world-wide the most common way of connecting forks to the lift-truck.

According to the rated truck capacity the ISO standard consists of 5 classes, each of them having a form „A“ and „B“ (e.g. class „2A“ or „2B“). The difference in the forms „A“ and „B“ is the fork drop (clearance lower hook to floor).

All measures are defined in the international standard ISO 2328. In the table below, the most important measures are listed.



Class	Rated lift-truck capacity kg	Load center mm	Form ISO	Drop a clearance mm	b mm	c1 ⁺¹ mm	c2 ₋₁ mm	h1±3 mm	h2* mm	k1 min. mm	k2 _{-1,5} mm	m1 max. mm	RH± ¹⁰ ₅ ISO mm
ISO 1	0-999	400 (600 ^a)	1A	76	331	16.5	16	394	306	14	13	31	1A 475
			1B	114				432	306				1B 510
ISO 2	1,000-2,500	500 (600 ^b)	2A	76	407	16.5	16	470	382	14	13	31	2A 550
			2B	152				546	382				2B 625
ISO 3	2,501-4,999	500 (600)	3A	76	508	22	21.5	568	477	17	16	40	3A 655
			3B	203				695	477				3B 780
ISO 4	5,000-10,000	600	4A	127	635	26	25.5	743	598	20	19	47	4A 845
			4B	254				870	598				4B 970
ISO 5**	8,001-10,999	600	5A	127	728	35	34	830	680	26	25	65	5A 940
			5B	257				960	680				5B 1060

* ISO 1 + 2: Tolerance + 1 mm
ISO 3,4 + 5: Tolerance + 1.5 mm

** ISO 5 is introduced in 2003, but still unusual in Europe. The capacity range of 5,000—10,000 kg is still mainly covered by ISO 4.

a) 600 mm is used in the USA
b) 600 mm is used in the USA, Asia, Australia

Technical information will not be up-dated automatically.