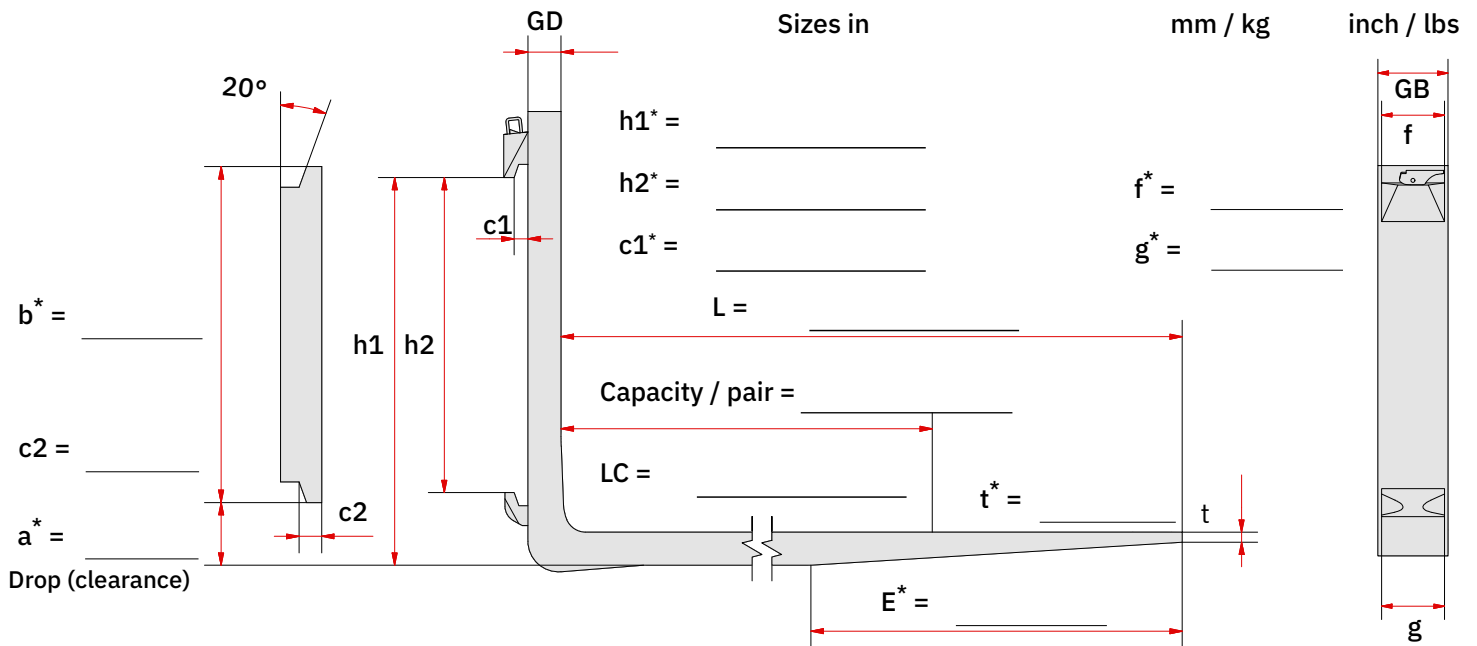


# QualityForks with ITA suspension and drillings

Company \_\_\_\_\_  
 Street \_\_\_\_\_  
 Postal code, town \_\_\_\_\_  
 Cross-section (width x thickness) \_\_\_\_\_  
 Length (L) \_\_\_\_\_  
 Quantity \_\_\_\_\_  
 Delivery date \_\_\_\_\_

Name \_\_\_\_\_  
 Tel. \_\_\_\_\_ Fax \_\_\_\_\_  
 E-Mail \_\_\_\_\_  
 Lift truck brand \_\_\_\_\_  
 Lift truck type \_\_\_\_\_  
 Date, Signature \_\_\_\_\_

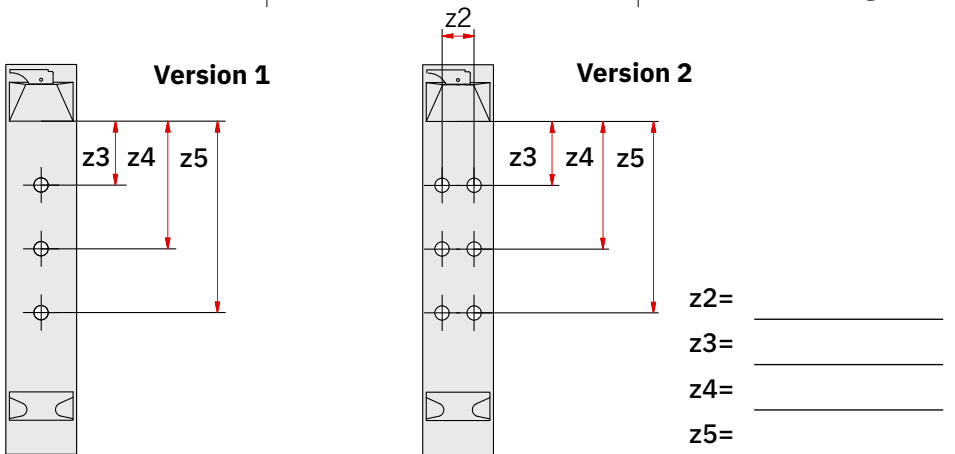


**Suspension (please tick)**

- |                                 |                                 |
|---------------------------------|---------------------------------|
| <input type="checkbox"/> ITA 1A | <input type="checkbox"/> ITA 1B |
| <input type="checkbox"/> ITA 2A | <input type="checkbox"/> ITA 2B |
| <input type="checkbox"/> ITA 3A | <input type="checkbox"/> ITA 3B |
| <input type="checkbox"/> ITA 4A | <input type="checkbox"/> ITA 4B |
| <input type="checkbox"/> ITA 5A | <input type="checkbox"/> ITA 5B |

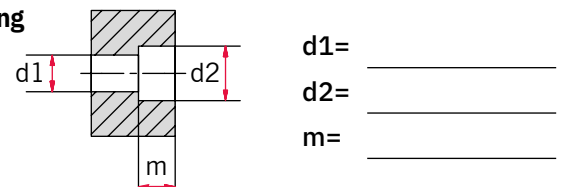
**Please tick one version of drilling**

Total number of drillings \_\_\_\_\_  
 Screw size \_\_\_\_\_  
 M \_\_\_\_\_



- Counter sunk hole  
 Thread bore hole  
 Drill through hole

**Please define countersunk drilling**



\*Note: „Optional“ data (fill in only if deviations from the standard)