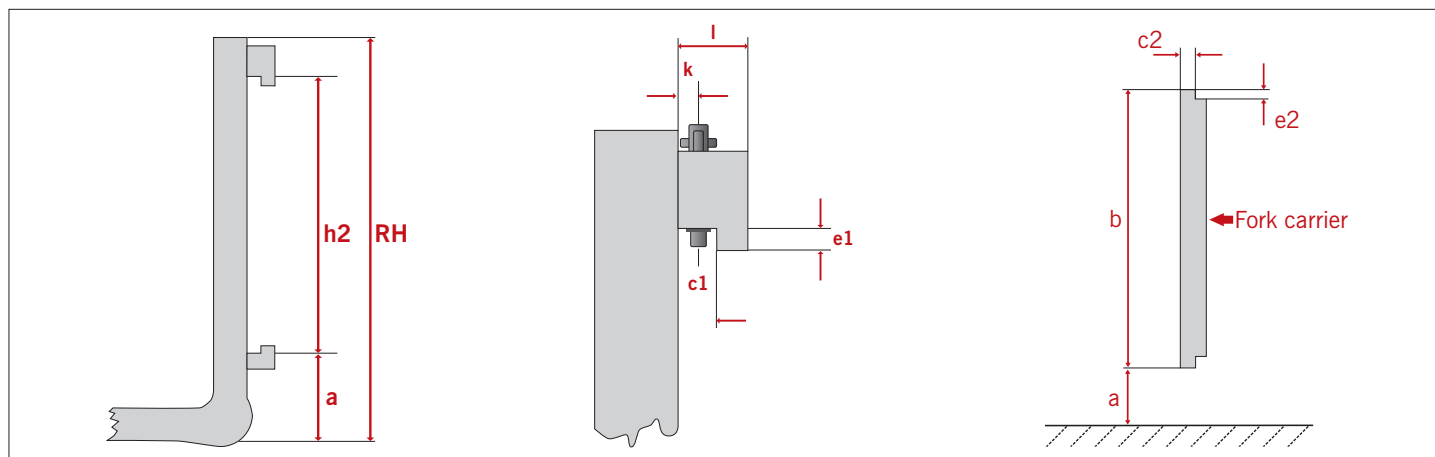


CONNECTION MEASURES DIN SUSPENSION

The DIN suspension is mainly used on older and special lift trucks, construction and agricultural machines. For this type of forks, the hook is manufacturer with a square inner contour.

According to the rated truck capacity the DIN standard consists of 4 classes. Dimensions are defined by DIN 15135, however, very often special dimensions are used.



Class	Rated lift-truck capacity kg	Load center mm	Drop a clearance mm	b_{-2} mm	$c1^{+1}$ mm	$c2_{-1}$ mm	$e1 \pm 1$ mm	$e2$ mm	$h2^{+1,5}$ mm	Locking bolt middle k mm	l mm	$RH \pm 10_5$ mm
DIN 360	0-999	400	120	360	16	15	16	20	361	8	30	534
DIN 400*	1,000-2,500	500	160	400	22	20	16	20	401	10.5	34	630
DIN 500	2,501-4,999	500	200	500	27	25	16	25	501	13.5	50	770
DIN 570	5,000-6,300	600	250	570	42	40	16	40	571	21	80	890

Attention:

* Class **DIN 400** is also usual having a drop a clearance of „a“ = **150 mm** (DIN400/150) and „a“ = **170 mm** (DIN400/170).

Technical information will not be up-dated automatically.

