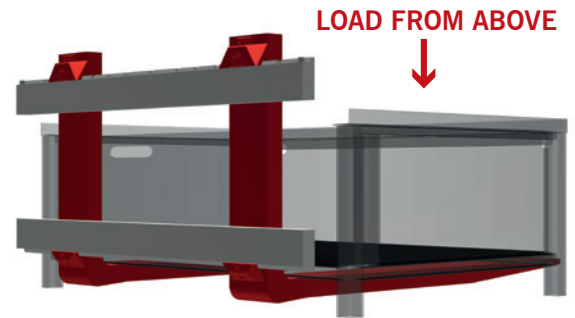


## FORK ARMS IN STANDARD, REVERSE AND ROTATOR DESIGN

### STANDARD FORKS

Load on the fork blade from above. The upper fork hooks bear the entire load, the lower fork hooks merely serve as guide.

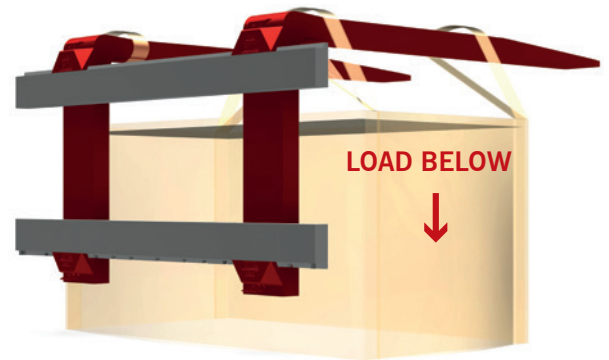
**Example: fork 4" x 1.75", ITA class 2:**  
Width of upper / lower fork hook: 3.5"  
Capacity per pair: 5,500 lbs / LC 24"



### REVERSE FORKS

Reverse Forks may be used either with fork blade facing upwards or as standard fork. Upper and lower hook are designed identically and equipped with locking devices. The cross-section is customized on requirements and load capacities.

**Example: fork 4" x 1.75", ITA class 2:**  
Width of upper / lower fork hook: 4.3"  
(both fork hooks with locking pin)  
Capacity per pair: 4,400 lbs / LC 24"  
For higher load capacity, the fork heel area may be reinforced by bracing plates.



Application for special load carriers

**ATTENTION: NEVER USE STANDARD FORKS AS REVERSE FORKS!**

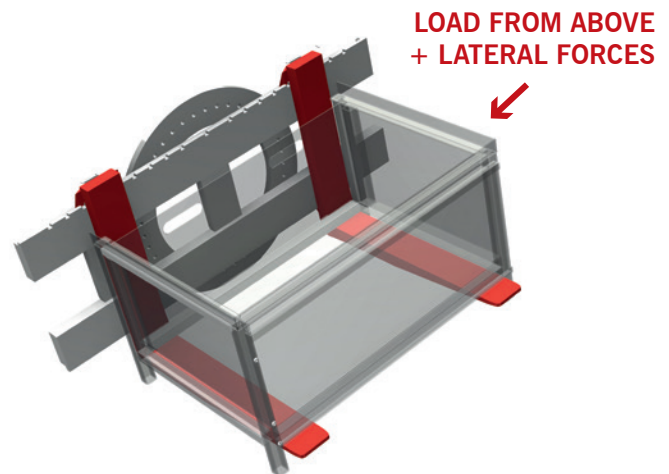
### FORKS FOR ROTATORS

When mounted to rotators, forks are exposed to high lateral forces. Depending on the position, the **entire load rests on one fork.**

Therefore, it is essential that forks for rotators are customized for application purposes and for the specific rotator.

**Rotator forks can be supplied with or without third hook as required for the specific attachment.**

Please contact us!



For your own safety, please have your Reverse Forks and forks for rotators designed by the VETTER engineering team!

Technical information will not be up-dated automatically!