

Inquiry Order No. _____

QualityForkExtensions

Company _____

Street _____

Postal code, town _____

Cross-section (width x thickness) _____

Length (L) _____

Quantity _____

Delivery date _____

Name _____

Tel. _____ Fax _____

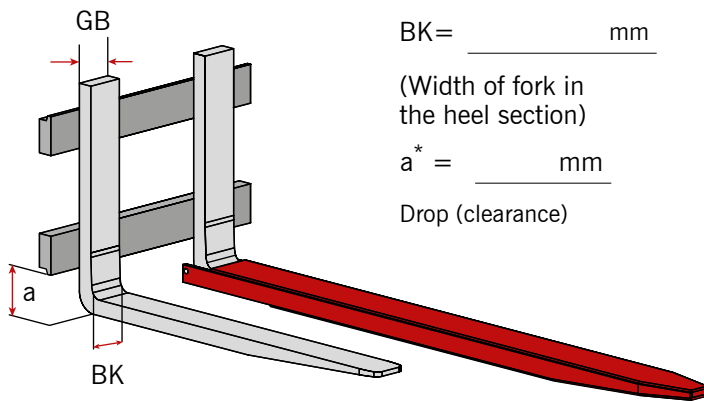
E-Mail _____

Lift truck brand _____

Lift truck type _____

Date, Signature _____

Important
 $L_{GV}(\max) = L_{GZ} / 0,6$

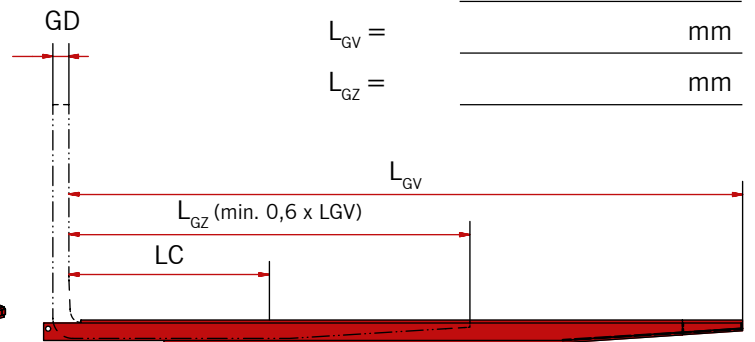


Capacity / pair = _____ kg

LC = _____ mm
 (Basic fork)

$L_{GV} =$ _____ mm

$L_{GZ} =$ _____ mm



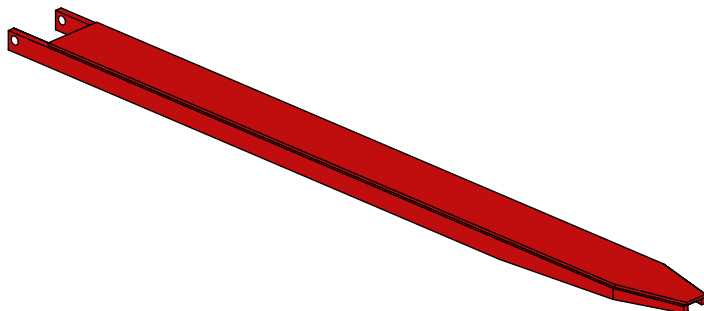
The fork extension has to be supported by the fork to minimum 60 % of its total length.

Extension design

open



The underside of the extension is open for light or medium usage. The load is allowed to have its load centre in the area of the supporting fork.



closed



The underside of the fork extension is closed. The extension is suitable for heavier usage. The load is allowed to lie in the area which is not supported by the fork.

