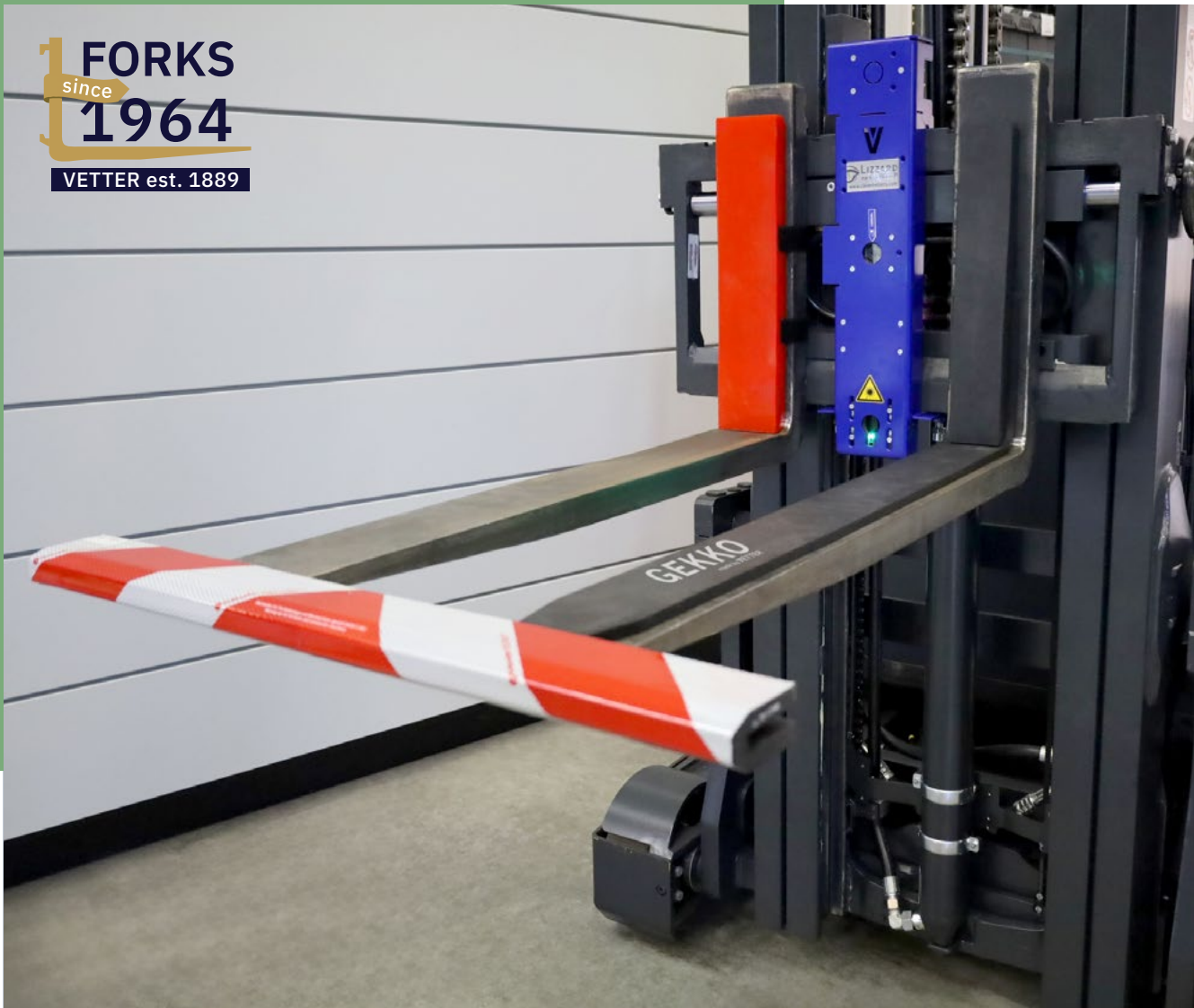




**FORKS**  
since  
**1964**  
VETTER est. 1889



MADE IN  
GERMANY

**CleverHelpers**  
Effective retrofit solutions  
for a safe industrial forklift truck

# CleverHelpers

## Better through the logistics jungle

Simple and quickly realisable solutions help immediately - that is the basic idea of the CleverHelpers product family. CleverHelpers focus on the benefits of the user: more safety, more efficiency in the daily use of the forklift truck. Each avoided damage protects people and loads. CleverHelpers make forklift driving much easier.

As Europe's leading fork manufacturer VETTER has the expertise you can rely on.



**COBRA**

**COBRA** – laser module for high lift stackers



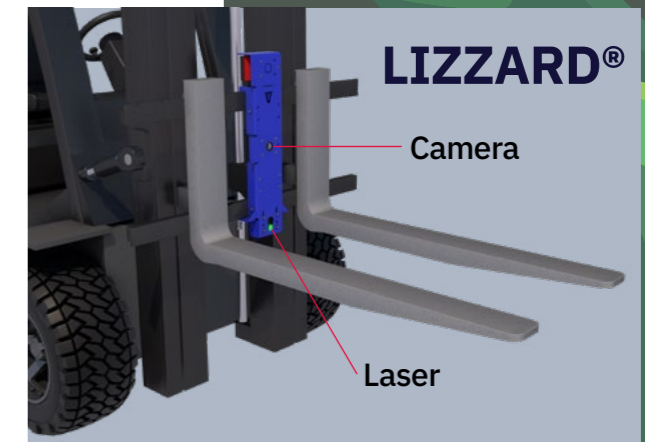
**LUXX FC**

**LUXX FC** – frontend camera



**LUXX RC**

**LUXX RC** – rear view camera



**LIZZARD®**

**LIZZARD®** – laser and camera system



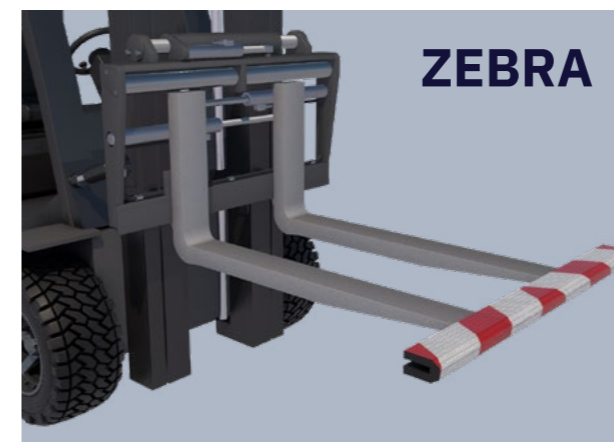
**GEKKO**

**GEKKO** – anti-slip layer



**KOALA**

**KOALA** – impact protector



**ZEBRA**

**ZEBRA** – warning bar

Further info and detailed product information can be found at:  
[cleverhelpers.com](http://cleverhelpers.com)

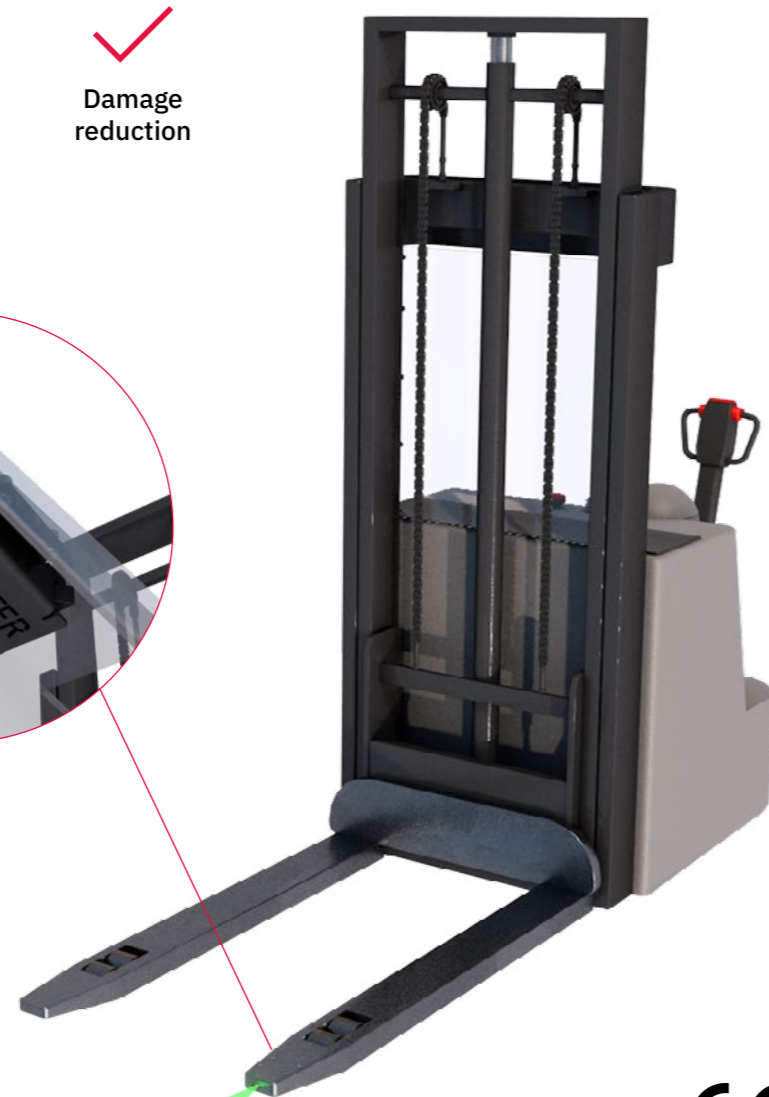


# NEW! COBRA

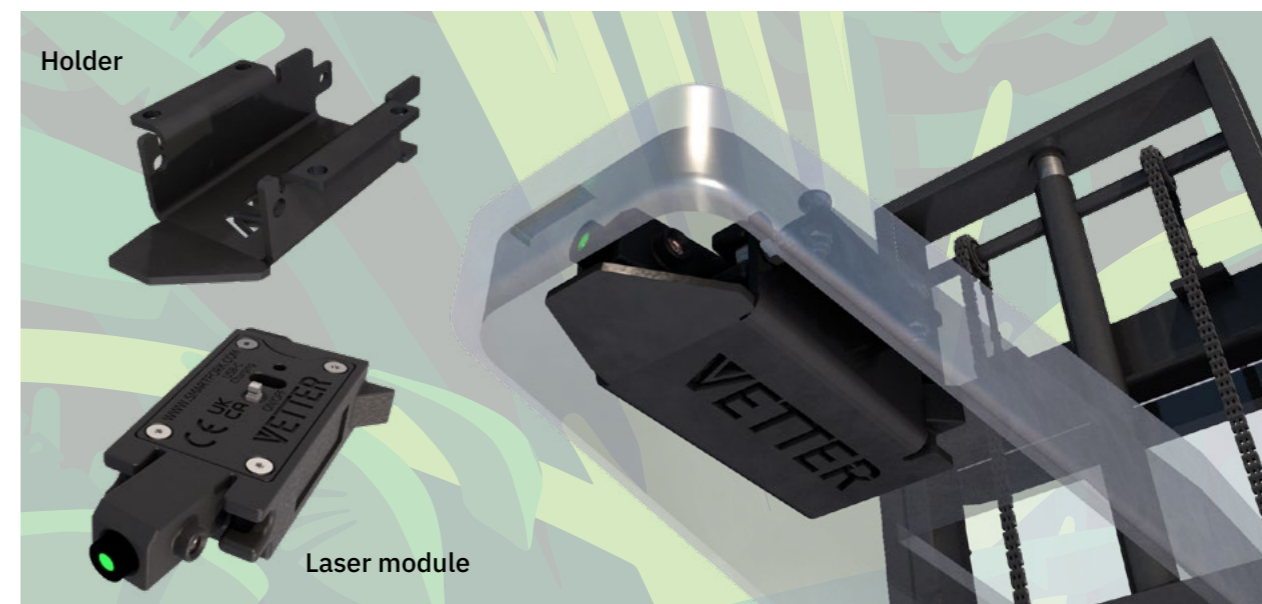
## Laser module

The **COBRA** laser module is a high precision guidance system for high lift stackers and pedestrian trucks. The battery-operated laser module is mounted in the fork tip and projects a green laser line to facilitate storage and retrieval of goods. The laser is class 1M, so there is no danger to the eyes. The **COBRA** laser module is for indoor use only.

- ✓ Precise and safe targeting of load carriers
- ✓ Easier load pick-up
- ✓ Damage reduction



MADE IN GERMANY



Laser module mounted in the fork...



...with the green COBRA line laser



# NEW! LUXX FC

## Frontend camera

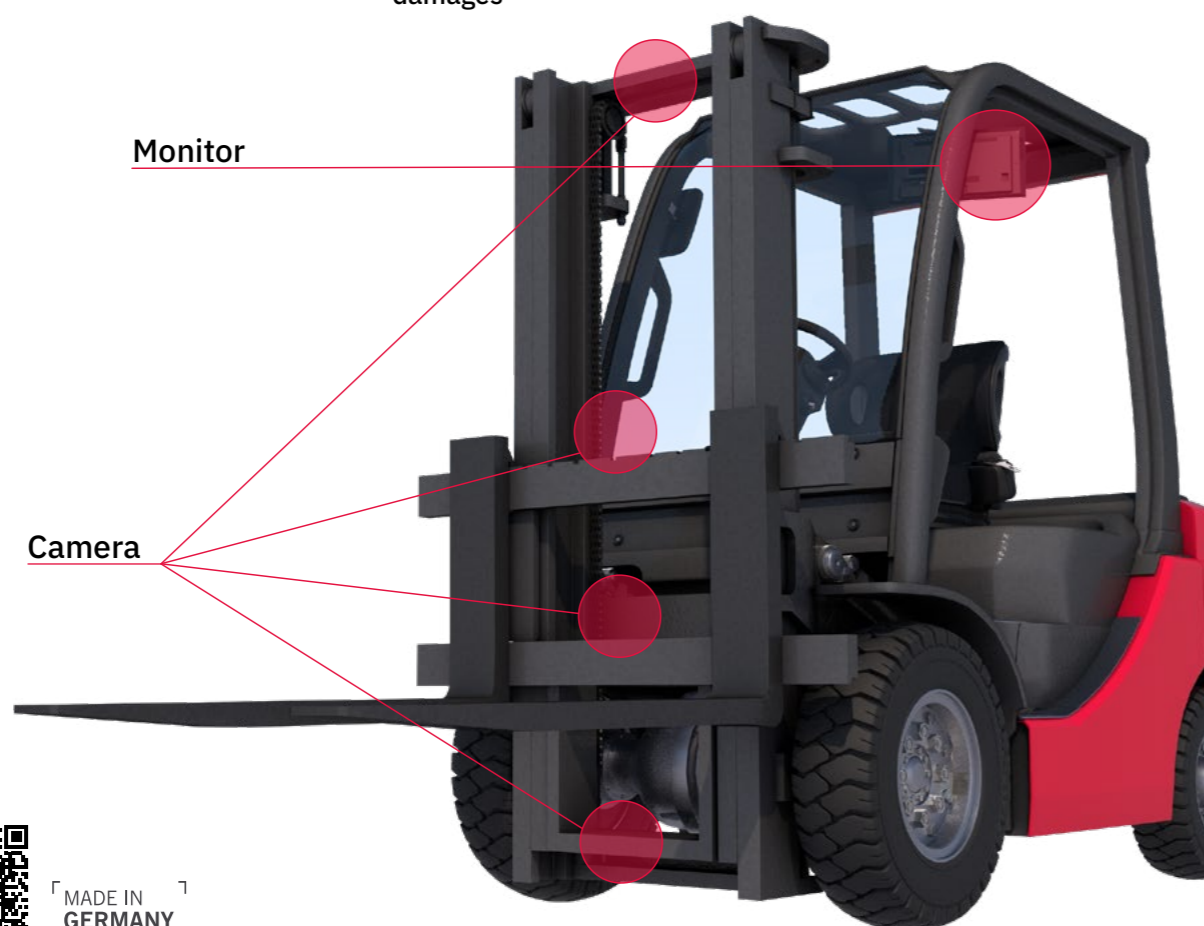
The **LUXX FC** camera system combines efficiency and safety for smooth operation of industrial trucks, especially in demanding (high bay) warehouse environments. The high-resolution camera can be flexibly mounted in various positions on the fork carrier and mast. It significantly increases the operator's field of view. The camera transmits a clear, real-time image to the in-cab monitor, even in low light conditions.

✓  
Field of view extension

✓  
Safe load pick-up

✓  
Reduced manoeuvring damages

✓  
Various installation positions possible



Simple mounting on the fork carrier



Monitor view in the cab, installation on the fork carrier



MADE IN GERMANY



# NEW! LUXX RC

## Rear view camera

The **LUXX RC** camera system is the ideal solution for increasing safety and efficiency when operating forklift trucks. The rear view camera is mounted on the upper rear part of the truck cab and provides an optimal view of the area behind the vehicle via monitor in the cab. This makes manoeuvring and reversing much safer. The camera has an integrated person identification function that reliably detects people in the danger zone and locates potential hazards.

- ✓  
Person identification
- ✓  
Improved view behind the vehicle
- ✓  
Easier and safer manoeuvring and reversing the forklift
- ✓  
Reduce collision damage and accidents



Truck loading situation...



... Person behind the forklift is identified by camera







MADE IN GERMANY



# LIZZARD<sup>®</sup>

## See and target!

The retrofittable laser and camera system revolutionises forklift trucks with precise target detection and an extended field of view to reduce transport damage. With rugged, industrial-strength technology, the **LIZZARD**<sup>®</sup> system optimises logistics processes and improves ergonomics for the forklift driver. The class 1M green cross laser ensures safety and efficiency without risk to the eyes. The integrated camera transmits the image to the monitor in the cab, improving forward visibility. The wireless, battery-powered retrofit system is quick and easy to mount on the fork carrier and is available in 3 versions.

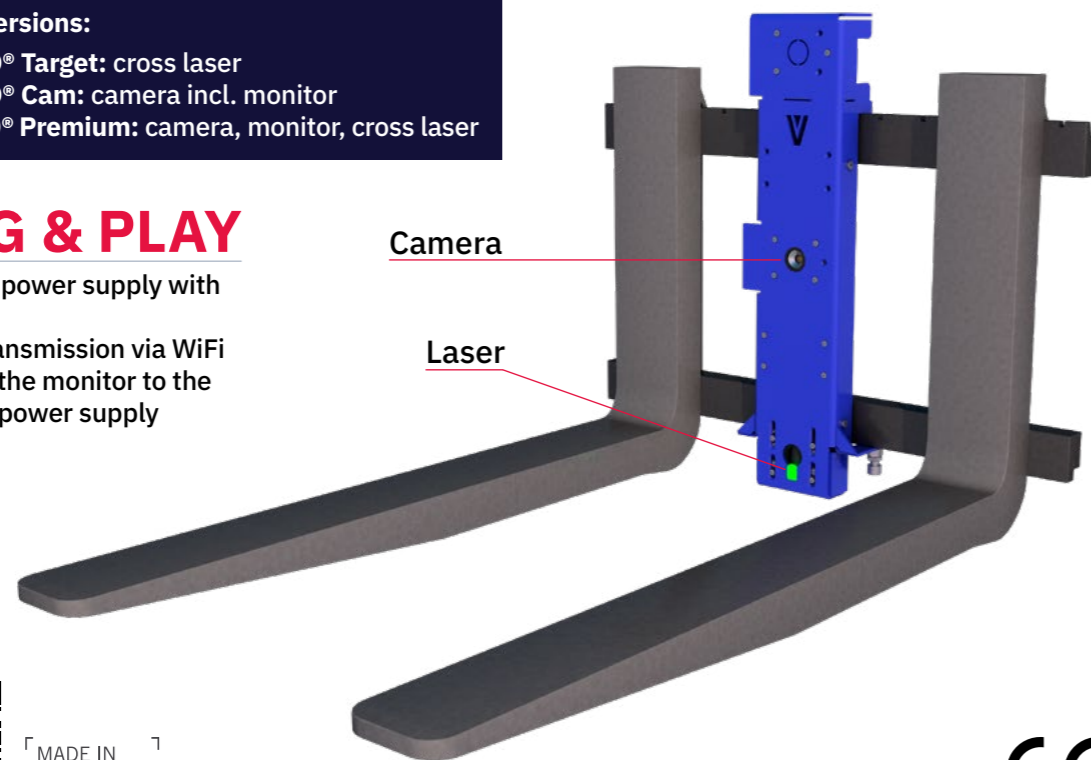
-   
 Precise and safe targeting of load carriers
-   
 Less damage to the transported goods
-   
 Field of view extension
-   
 Improved ergonomics for the forklift driver

**Product versions:**

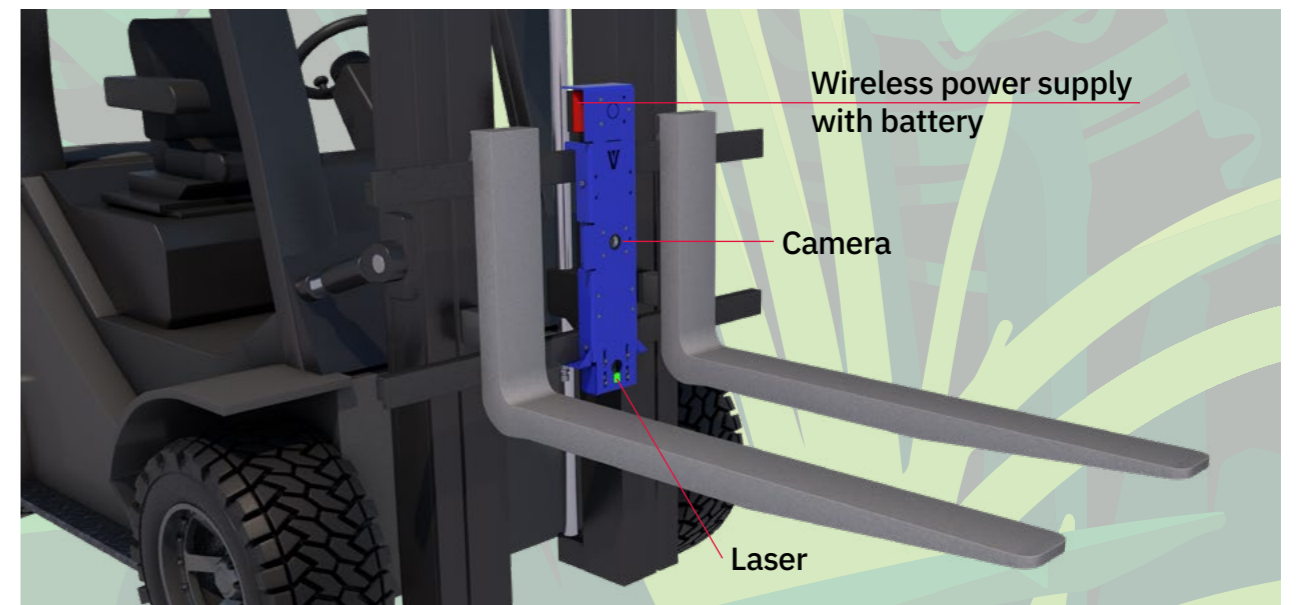
- LIZZARD<sup>®</sup> Target: cross laser
- LIZZARD<sup>®</sup> Cam: camera incl. monitor
- LIZZARD<sup>®</sup> Premium: camera, monitor, cross laser

### PLUG & PLAY

- Wireless power supply with battery
- Signal transmission via WiFi
- Connect the monitor to the forklift's power supply



MADE IN GERMANY



Precise targeting by using the cross laser



Monitor display in driver's cab



# GEKKO

## Anti-slip layer

The **GEKKO** anti-slip layer not only protects the transported goods, but also reduces vibrations and noise. Thanks to the integrated magnets on the underside, the layer can be easily attached to the fork blade and removed again in seconds. If the **GEKKO** is longer than the blade of the fork, the excess length can simply be continued in the fork back. The abrasion and cut resistant surface ensures a long service life for temporary use.



Prevents the load from slipping



Reduction of damage to the load



Protection of sensitive surfaces



Noise reduction

If **GEKKO** is longer than the fork blade of the fork, the excess length can simply be continued in the fork back.




Integrated, strong magnets on the underside



Bracket for an easy take off



MADE IN GERMANY

Made of **86 %** recycled material. 



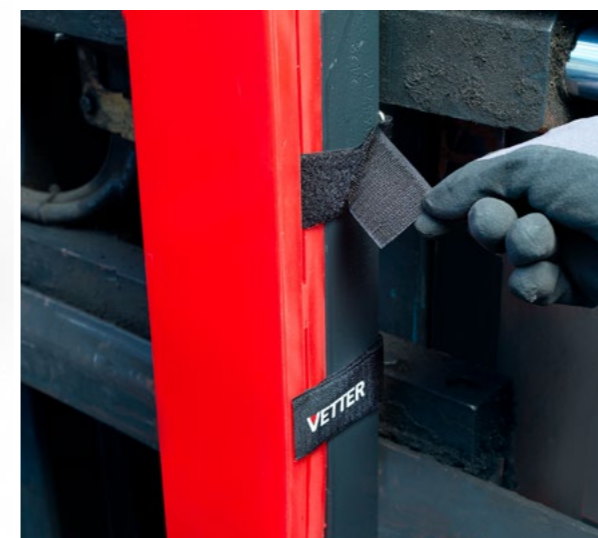
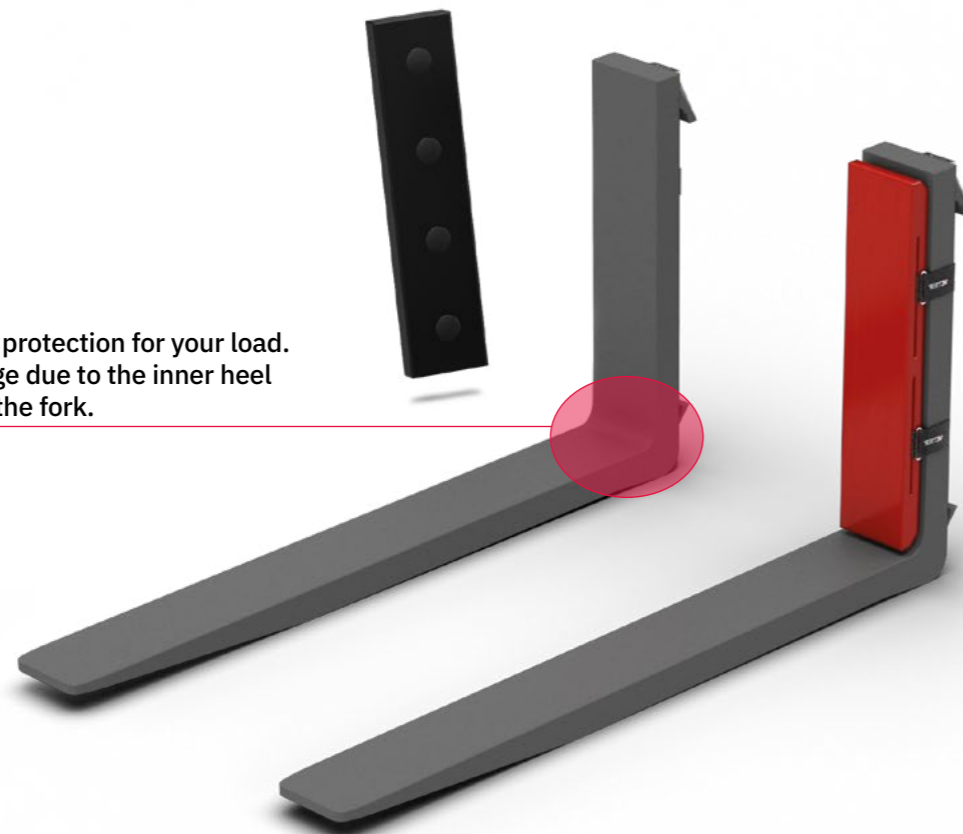
# KOALA

## Impact protector

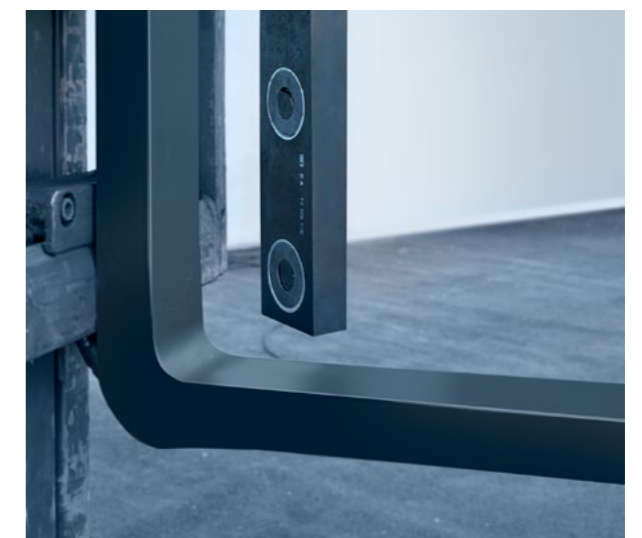
The **KOALA** impact protector can be quickly attached to the back of the fork and is ready for use immediately thanks to its simple velcro or magnetic fastening. It protects sensitive surfaces and prevents damage to the load that could be caused by the inner heel radius of the fork.

- ✓  
Best protection  
for your goods
- ✓  
No damage due to the  
inner heel radius of the fork
- ✓  
Protection of  
sensitive surfaces
- ✓  
Noise reduction

Optimum protection for your load.  
No damage due to the inner heel  
radius of the fork.



**KOALA-R:** Attached with two height adjustable velcro straps, suitable for long-term application



**KOALA-S:** Attached with four magnets, suitable for short-term alternating use



MADE IN  
GERMANY





# ZEBRA

## Warning bar

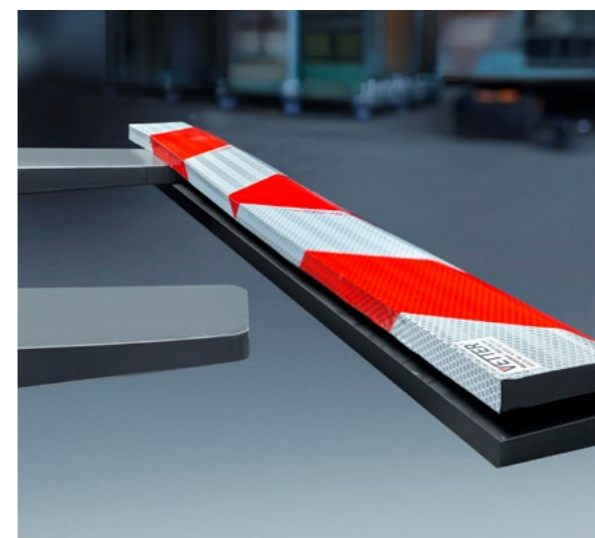
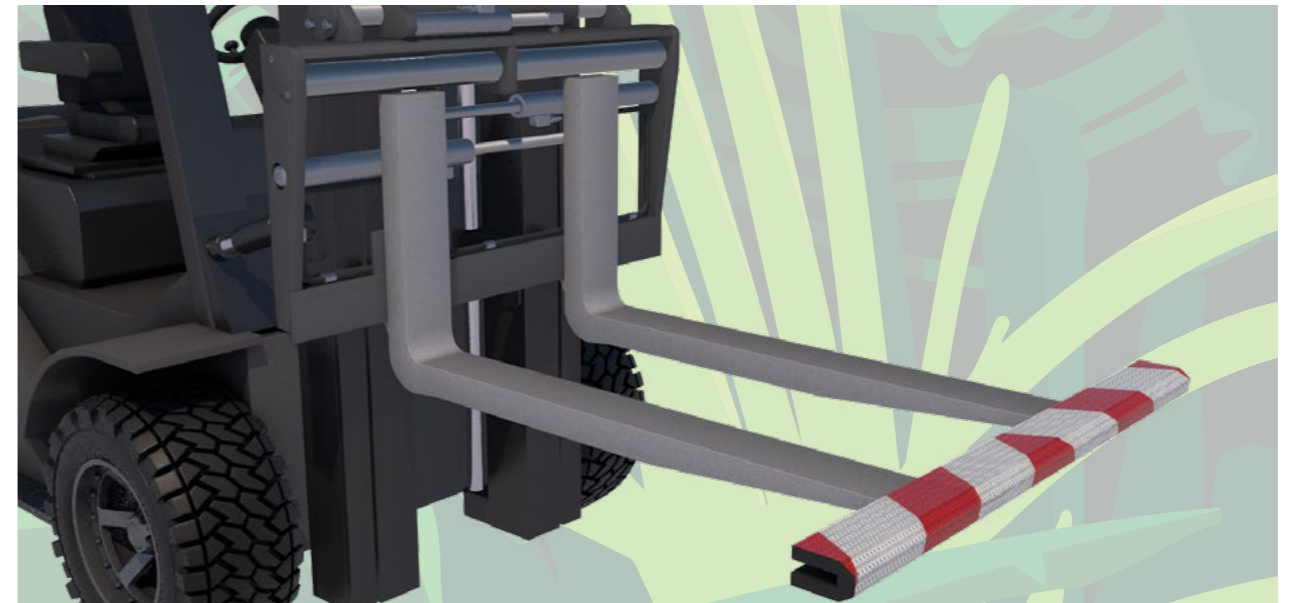
The **ZEBRA** warning bar is an innovative solution for improving road safety. With its high quality reflective foil, the warning bar makes the forks more visible, thus effectively preventing accidents. Thanks to the magnetic inserts, it is quick and easy to install on the fork tips. The **ZEBRA** warning bar is not only recommended for use on the road, but also for internal transport.



Improved visibility  
of the forks



MADE IN  
GERMANY



Magnetic entry pockets for the fork tip  
(NO machining of the forks necessary)



Simply attach **ZEBRA** to the forklift when not in use!



# Your VETTER team



**Götz Ludes**  
Export Manager  
+49 2736 / 4961 - 22  
goetz.ludes@forks.com



**Mirco Kegel**  
Export Manager  
+49 2736 / 4961 - 835  
mirco.kegel@forks.com



**Johannes Bräuer**  
Regional Sales Manager  
+49 2736 / 4961 - 943  
johannes.braeuer@forks.com



**José Ramirez**  
Regional Sales Manager  
+49 2736 / 4961 - 941  
jose.ramirez@forks.com

## We're here for you!

Would you like to find out more about our CleverHelpers retrofit solutions? Are you interested in a live product demonstration on your side? Get in touch with your VETTER contact person or our product manager Simon Staniczek and we look forward to your enquiry!



**Simon Staniczek**  
Product manager CleverHelpers  
simon.staniczek@forks.com  
+49 (0)2736 4961-442





VETTER Industrie GmbH  
Carl-Benz-Strasse 45  
57299 Burbach / Germany

+49 (0) 2736 4961-0  
info@forks.com

[www.cleverhelpers.com](http://www.cleverhelpers.com)

Follow us:    