



VETTER[®]

SIMPLY WILD!
CleverHelpers
made by VETTER

**Effective retrofit solutions for
a safe industrial forklift truck**



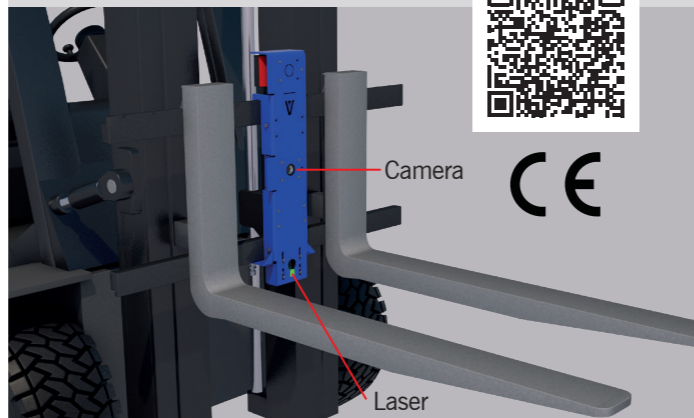
...better through the logistics jungle!

NEW

LIZZARD

SEE AND TARGET!

- ▶ Precise and safe targeting of load carriers
- ▶ Expansion of the field of view
- ▶ Less damages to the transported loads
- ▶ 3 versions:
 - **LizzardTarget**: cross lase
 - **LizzardCam***: camera incl. monitor
 - **LizzardPremium***: camera, monitor, cross laser
- ▶ Simply mounted onto the fork carriage, immediately ready for use!



Precise targeting by using the laser

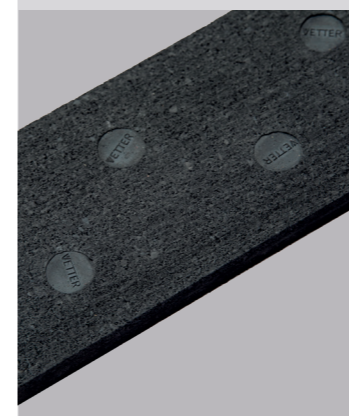
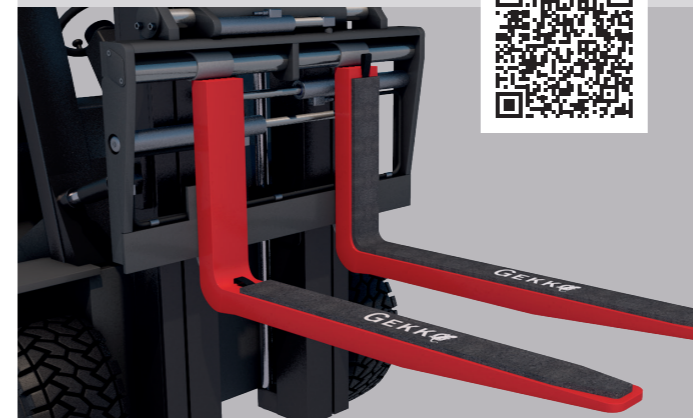


Display in driver's cab

GEKKO

MAGNETIC ANTI-SLIP LAYER

- ▶ Reduces slipping loads
- ▶ Reduction of damages
- ▶ Protection of sensitive surfaces
- ▶ Less vibrations
- ▶ Noise reduction
- ▶ Mounting on the fork - ready!



Integrated magnets on the underside

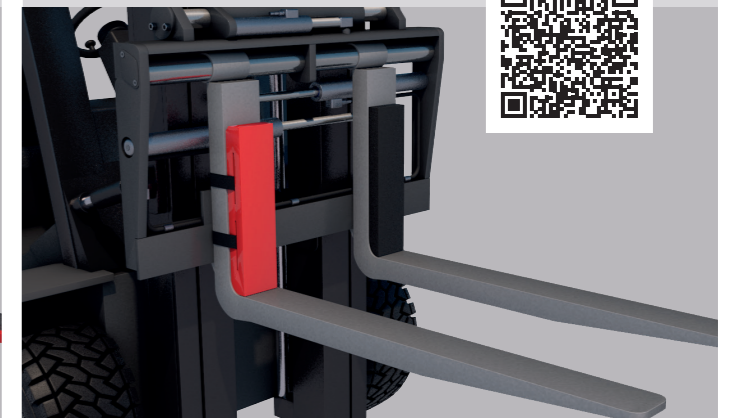


With bracket for an easy take off

KOALA

IMPACT PROTECTOR (magnetic or with velcro stripes)

- ▶ Collision protection in the fork back
- ▶ Protection of sensitive surfaces
- ▶ No damage due to the inner heel radius of the fork
- ▶ Noise reduction
- ▶ Simply mounted in a few seconds due to magnets or velcro strips



Mounting with velcro strip



Mounting with magnets

MADE IN GERMANY

CleverHelpers

Retrofit solutions for a safe and efficient industrial truck – immediately ready for use!

Simple and quickly realisable solutions help immediately - that is the basic idea of the **CleverHelpers** product family.

CleverHelpers focus on the benefits of the user: more safety, more efficiency in the daily use of the forklift truck. Each avoided damage protects people and loads. **CleverHelpers** make forklift driving much easier.

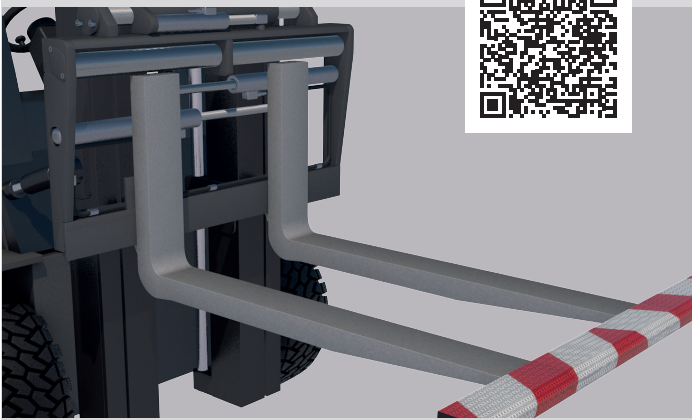
As Europe's leading fork manufacturer VETTER has the expertise you can rely on.

* The monitor is connected to the power supply of the forklift. Mechatronic training or similar qualifications are recommended for this purpose.

ZEBRA

WARNING BAR BE SEEN IN TRAFFIC

- ▶ Improved visibility for traffic participants
- ▶ Accident prevention
- ▶ Magnetic quick mounting
- ▶ Special reflector foil
- ▶ Easy mounting on the forklift when not in use
- ▶ Also recommended for in-house traffic



Magnetic entry pockets for the fork tip
(NO machining of the forks necessary).
Simply attach ZEBRA to the forklift when not in use!

Detailed product information can be found at:

CLEVERHELPERS.COM

YOUR DIRECT CONTACT:

info@forks.com • +49 (0)2736 4961-0